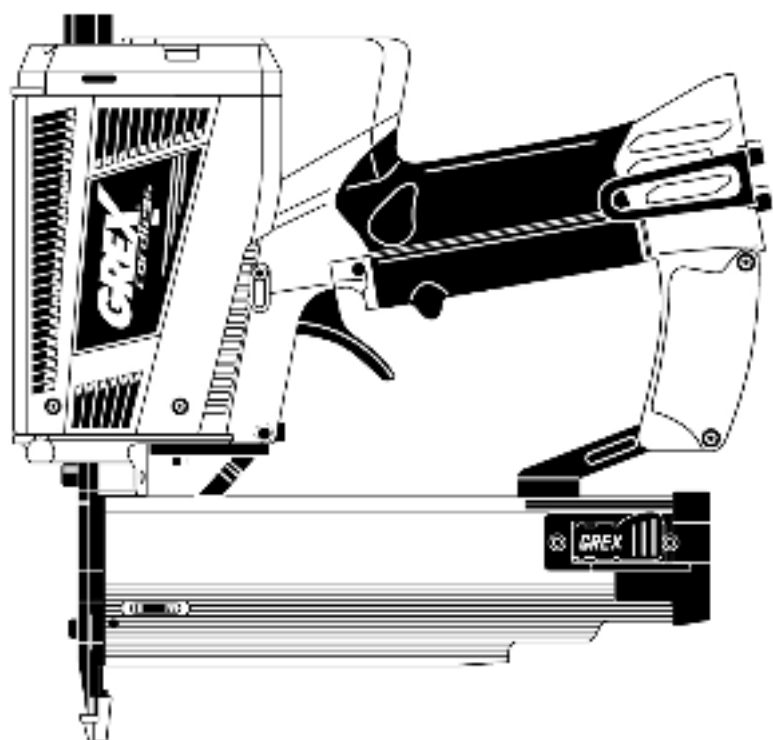


GREX

cordless

GC1850

Cordless
2" 18 Gauge Brad Nailer



CAUTION: Before attempting to use or service this tool, carefully read and understand all rules and instructions for safe operation.



NOTE: This manual includes safety warnings, operation instructions, and tips on the maintenance and inspection of this tool.

TABLE OF CONTENTS

1.0 Overview	2
1.1 Introduction	2
1.2 Registering Your Tool	2
2.0 Safety Instructions	3
2.1 Employer's Responsibilities	3
2.2 Safety Instructions	3
2.3 Fuel Cartridge Safety and Storage	6
2.4 Fuel Cartridge Disposal Guidelines	7
2.5 Working Environment	7
3.0 Tool Specifications	9
3.1 Kit Contents	9
3.2 Technical Specifications	9
3.3 Suggested Applications	9
3.4 Tool Anatomy	10
4.0 Fastener Compatibility	11
5.0 How It Works	12
6.0 Tool Operation	14
6.1 Pre-Operation Checklist	14
6.2 Testing the Tool	15
6.3 Battery Guidelines	18
6.4 Inserting Batteries	18
6.5 Loading Fuel Cartridges	19
6.6 Unloading Fuel Cartridges	21
6.7 Power Setting and Nailing Depth Adjustments	22
6.8 Loading Fasteners	23
6.9 Mode of Operation	24
6.10 No-Mar Rubber Tip	26
6.11 Auto Lock-out Feature	26
6.12 Adjustable Bell Hook	27
7.0 Maintenance and Inspection	28
7.1 Servicing	28
7.2 Lubrication	28
7.3 Clean and Inspect Daily	28
7.4 Fuel Cartridge Check	29
7.5 Storage	29
7.6 Clearing Jammed Fasteners	30
7.7 Troubleshooting	31

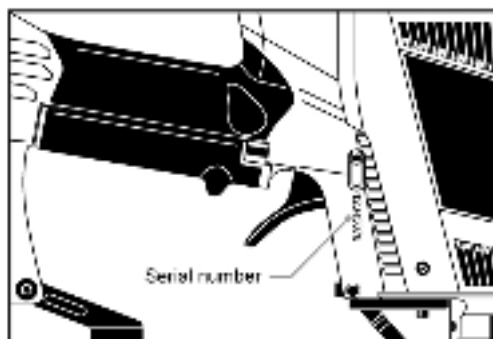
Congratulations on your purchase of a **Grex Cordless** tool. Like all Grex tools, this is a high performance machine, designed and built to meet the needs of the demanding professional. Precision machining and carefully selected materials are employed in the manufacturing process of each tool to ensure consistent high performance and adherence to GREX's high quality standards.

The **Grex Cordless** tool is powered by a new, innovative and highly efficient internal combustion engine. An air and fuel mixture is ignited in the engine to produce the energy needed to drive fasteners. By utilizing the designated portable fuel cartridges and a pair of AAA alkaline batteries, this tool operates without the need for any external power sources. This is a self-contained tool, giving you total freedom from cords and hoses, so that you can work quicker and more efficiently.

To maintain your tool at its peak performance, proper care and attention to its operation must be observed. Please take the time to read, understand and follow the instructions in this owner's manual so you can get the most out of your tool and ensure safe, long-lasting, reliable operation. **Thank you for choosing Grex.**

REGISTERING YOUR TOOL

IMPORTANT: Please fill out and return the enclosed Product Registration Card or register online at www.grexusa.com within the next ten days. By registering your tool, we will be able to acknowledge the limited warranty offered for your Grex product.



Right hand side of tool shown

2.1 EMPLOYER'S RESPONSIBILITIES

1. Keep this manual available for use by all people assigned to use this tool.
2. Employer must enforce compliance with safety warnings & all instructions contained in this manual.
3. For personal safety & proper operation of this tool, read and follow all of these instructions carefully.
4. Ensure that tools are used only when operators & others in work area are wearing safety protection.
5. Enforce the use of safety protection, especially safety eyewear, by operators and others in area.
6. Keep tools in safe working order and maintain them properly.
7. Ensure that tools that require repair are not further used before repair.



IMPORTANT: Save this manual and review it frequently for continuing safe operation.

2.2 SAFETY INSTRUCTIONS

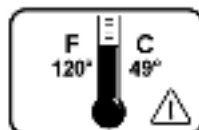
Most accidents that result from the operation and maintenance of tools can be avoided by recognizing potentially hazardous situations before they occur and by observing appropriate safety procedures. The following safety instructions have been included in this booklet to provide you with the basic information necessary for safe operation of your tool.



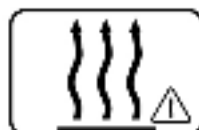
1. **WARNING:** Do not attempt to operate this tool unless you have read and fully understood all instructions and safety precautions contained in this manual. Failure to comply can result in serious injury to yourself and bystanders.



2. **DANGER:** This tool is an internal combustion device. It produces hot exhaust gases that may ignite flammable materials. This tool must NOT be used in a combustible environment or in the presence of combustible materials, such as flammable chemicals, adhesives, gasoline, and/or solvents.



3. **DANGER.** Do not expose this tool to direct sunlight and temperatures in excess of 120°F (49°C). The fuel and/or the batteries may burst, releasing flammable gas and other potentially harmful chemicals.



4. **DANGER.** Do not use in enclosed or poorly ventilated areas. This tool must be operated in a well-ventilated environment. Exhaust gases from this tool contain carbon monoxide similar to a gas powered lawnmower. Exposure to carbon monoxide may cause dizziness, nausea, or unconsciousness.

5. **DANGER.** Keep your hands, face and body away from the exhaust ports. Hot exhaust gases that exit from the exhaust ports can potentially cause injury.

6. **Beware of hot surfaces on the tool.**

If the tool is used for a long period of time, the nose, gun body and any metal surfaces of the tool can potentially become hot. Avoid touching any bare metal near the main body of the tool to prevent potential injury.

2.2 SAFETY INSTRUCTIONS (continued)



7. Always wear protective equipment.

To prevent eye injuries, safety glasses should be worn by the operator and others in the work area that conforms to requirements of ANSI Z87.1 & provides both frontal & side protection. Always wear other personal protective equipment such as hearing protection & hard hats.



8. Keep hands and body away from the nose area.

Never place your hand or any part of your body in front of the nose area where the fasteners are discharged.

9. Never point tool toward yourself or anyone else.

Always assume tool contains fasteners. Keep tool pointed away from yourself and others at all times. Never engage in horseplay with your tool. Respect your tool as a working implement.

10. Keep fingers away from trigger when not driving fasteners.

Never carry the tool with your finger on the trigger as this could lead to accidental discharge of a fastener and cause injury to yourself and/or bystanders.

11. Keep visitors away.

Do not let visitors handle the tool. All visitors should be kept safely away from the work area.

12. Never leave tool unattended.

Those that are unfamiliar with the tool might handle the tool and injure themselves.

13. Never allow individuals unfamiliar with tool to operate tool.

Never allow tool to be operated by children, individuals unfamiliar with its operation or unauthorized personnel.

14. Dress properly.

Be sure not to wear clothing or jewelry that may be caught in moving parts. Non-slip rubber gloves and footwear are recommended when working outdoors. Wear protective hair covering to contain long hair.

15. Keep work area clean.

Cluttered areas invite injuries. Clear work areas free of unnecessary tools, debris, furniture, etc.

16. Stay alert.

Watch what you are doing. Use common sense. Do not operate tool when tired, or under the influence of alcohol, drugs, or medication that causes drowsiness.

17. Inspect tool condition and maintain with care.

Make sure screws and caps are securely tightened at all times. Never use tool if parts are missing or damaged, leaks fuel, or needs repair. Keep tool clean for better and safer performance.

18. Handle tool carefully and correctly.

Operate tool according to this manual. Do not drop tool or strike the tool against hard surfaces, and do not scratch or engrave signs on the tool. Do not use tool as a hammer.

2.2 SAFETY INSTRUCTIONS (continued)

19. Check safety before use.

Make sure the safety operates properly before use. Never use the tool if the safety is not operating properly, otherwise the tool could drive a fastener unexpectedly. Never tamper with or remove the safety, otherwise the safety becomes inoperable.

20. Never operate a malfunctioning tool.

Refer to the servicing and/or troubleshooting sections of this manual to correct the problem. If the problem cannot be resolved, stop using the tool immediately. Contact GREX or your local GREX dealer for assistance.

21. Load fasteners carefully.

Do not load fasteners with the trigger and/or the safety contact mechanism pressed. A fastener may be accidentally discharged. Point tool downwards and away from yourself or any bystanders at all times.

22. Drive fasteners carefully.

Never drive fasteners into materials too hard to penetrate. Do not drive fasteners into thin boards or near corners and edges of work piece; they may be driven through or away from work piece. Do not drive fasteners on top of other fasteners or with tool at too steep an angle; the fastener can ricochet and cause personal injury or injury to bystanders.

23. Maintain proper footing and balance at all times.

Do not over-reach. Always be aware of edges and drop-offs when nailing on rooftops and other high locations. Keep them in full view.

24. Keep hands clear of the work surface.

A fastener may exit at an angle unexpectedly and cause injury.

25. Never drive nails from both sides of wall at the same time.

Nails can potentially be driven through the wall and hit a person on the opposite side.

26. Check for potential concealed hazards.

Always check the area behind the work surface for electrical wiring, gas pipes, water pipes, sewer drains and/or other potential hazards.

27. Check for live electrical wires.

Avoid the risk of severe electrical shock by checking for live electrical wires that are hidden by walls, floors or ceilings. Turn off the breaker switch to ensure there are no live wires.

28. Do not let the product come into contact with water.

The tool contains electrical components and batteries that can be shorted if in contact with water or other liquids. This may cause damage to the tool and/or personal injury to the operator.

29. Empty fasteners from magazine when tool is not in use.

Remove all fasteners from tool before doing tool maintenance, or when operation has been completed or suspended.

2.2 SAFETY INSTRUCTIONS (continued)

30. Never modify or alter the tool.

Doing so may cause it to malfunction and personal injuries may result.

31. Keep idle tool in storage.

Always store tool with fuel cartridge removed. When not in use, this tool, fuel cartridges and batteries should be kept in dry and high or locked-up places - out of reach of children.

32. Never use tool for applications other than those specified in this manual.

Using tool for applications other than those intended for may harm the tool, cause personal injury to operator and injury to bystanders.

33. Remove fasteners and fuel cartridge from tool before:

- Performing any maintenance and/or inspection of the tool,
- Clearing a jammed fastener from the tool,
- Storing the tool,
- Leaving the work area,
- Moving the tool to another location, and
- Handing the tool to another person.

Failure to do so may result in personal injury to operator and bystanders.

34. Use only parts, accessories or fasteners supplied or recommended by GREX.

Unauthorized parts, accessories, or fasteners may void your warranty and can lead to malfunction and resulting injuries. Do not modify the tool without written approval from GREX.

2.3 FUEL CARTRIDGE SAFETY AND STORAGE



WARNING: Always keep fuel cartridges away from open flames, sparks, direct sunlight or temperatures above 120°F (49°C). Failure to do so may release flammable gas.

1. Always store fuel cartridge in a well-ventilated area.

2. Never puncture or attempt to open fuel cartridge. Container is non-refillable.

3. Never incinerate or attempt to reclaim or recycle fuel cartridge.

4. Never smoke while installing the fuel cartridge or operating the tool.

5. Never spray contents of fuel cartridge towards others, yourself, your face or your eyes.

Fluid gas may cause injuries when in contact with skin or eyes. In case of contact with skin, wash the contact surface carefully with warm soapy water and apply skin cream when dry. In case of contact with eyes; rinse open eyes under running water. Contact a doctor if necessary.

6. Never inhale spray from fuel cartridge.

Always use in a well-ventilated area. In case of inhalation, person affected should be taken into the open air and brought to a comfortable position. Contact a doctor if necessary.

2.3 FUEL CARTRIDGE SAFETY AND STORAGE (continued)

7. Keep out of reach of children.

8. Dispose of fuel cartridges properly.

Dispose of fuel cartridges according to local regulations for aerosol products. Do not dispose fuel cartridge with other scrap for recycling. See following details.

2.4 FUEL CARTRIDGE DISPOSAL GUIDELINES

Each fuel cartridge is a hermetically sealed aluminum can filled with a blend of naturally occurring compressed and liquefied hydrocarbon gases. Under US EPA regulations, the contents of the fuel cartridge are classified as ignitable hazardous waste identified with number D001 and are therefore subject to the Resource Conservation and Recovery Act (RCRA). Fuel cartridges used in or by commercial or industrial facilities must therefore collect, manage and properly dispose of fuel cartridges according to all federal, state and local regulations.

However, if the used fuel cartridges are generated by a residential household, they are excluded from the definition of hazardous waste in accordance to 40 CFR 261.4(b)(1). Therefore, the used fuel cartridges generated by households can usually be disposed as general refuse in a properly permitted municipal landfill. Users are still advised to contact their local waste authorities for proper disposal procedures.

In most cases, if the fuel cartridge is empty, it can be recycled or disposed as nonhazardous waste. In accordance with the EPA's definition of an empty container under 40 CFR 261.7, the fuel cartridge is empty if the internal pressure of the container is equal to atmospheric pressure.

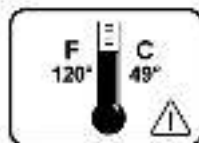
GREX takes no responsibility for proper fuel cartridge disposal. Proper disposal remains the responsibility of sellers and users of the fuel cartridges. All sellers and users are advised to contact their local solid waste authority to determine if any federal, state or local regulations prohibit or restrict disposal.

For more information about US EPA hazardous waste regulations, visit the official website at <http://www.epa.gov/epawaste/hazard/index.htm>

2.5 WORKING ENVIRONMENT



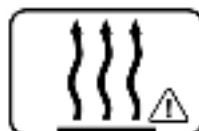
1. **DANGER:** This tool is an internal combustion device. It produces hot exhaust gases that may ignite flammable materials. This tool must NOT be used in a combustible environment or in the presence of combustible materials, such as flammable chemicals, adhesives, gasoline, and/or solvents.



2. **DANGER:** Do not expose this tool to direct sunlight and temperatures in excess of 120°F (49°C). The fuel and/or the batteries may burst, releasing flammable gas and other potentially harmful chemicals.

3. **DANGER:** Keep your hands, face and body away from the exhaust ports. Hot exhaust gases that exit from the exhaust ports can potentially cause injury.

2.5 WORKING ENVIRONMENT (continued)



4. Beware of hot surfaces on the tool.

If the tool is used for a long period of time, the nose, gun body and any metal surfaces of the tool can potentially become hot. Avoid touching any bare metal near the main body of the tool to prevent potential injury.

5. Do not use in enclosed or poorly ventilated areas.

This tool must be operated in a well-ventilated environment. Exhaust gases from this tool contain carbon monoxide similar to a gas powered lawnmower. Exposure to carbon monoxide may cause dizziness, nausea, or unconsciousness.

6. Clear the area of children and unauthorized personnel.

Do not let visitors handle the tool. All visitors should be kept safely away from the work area.

7. Do not use tool in the rain or where excessive moisture is present.

Use of the tool under these conditions may result in damage to the tool, cause the tool to malfunction, and/or results in personal injury to the operator.

8. Avoid blocking the air intake ports located at the backend of the handle.

Doing so may cause the tool to operate erratically.

HOT WEATHER OPERATION

Keep the tool cool. An overheated tool may not drive fasteners completely or may result in erratic operation. For optimal performance of the tool, use in a cool and well ventilated environment. Keep the tool and fuel out of direct sunlight and in surroundings where temperatures will not exceed 120°F (49°C). After extended periods of normal continuous use, it may be necessary to cool the tool by setting it aside for 10 to 15 minutes or until the tool operates normally again.

COLD WEATHER OPERATION

Do not leave your tool and fuel cartridges in extreme cold weather overnight. If the overnight forecast is below 10°F (-12°C), bring your tool and fuel cartridges indoors to ensure it works properly in the morning.

Fuel cartridges at cold temperatures may lose the required propellant pressure. Bring the tool, fuel cartridge and batteries above 10°F (-12°C) by placing the tool in a heated building or vehicle. Fuel cartridges may also be sufficiently warmed up by enclosing them in your hands or placing them inside your pant pockets for a short period of time. Never expose the tool, fuel cartridge or battery to flame.

HIGH ALTITUDE OPERATION

As altitude increases, the atmospheric pressure decreases resulting in lower oxygen concentrations in the air. Just like any internal combustion engine, the output power of the Grex Cordless tool is dependent on the available oxygen in the surrounding air. Therefore, the output power will decrease when the tool is operated at higher altitudes.

3.1 KIT CONTENTS

- Grex Cordless 2" 18 Gauge Brad Nailer
- Tool Carrying Case
- Owner's Manual with Parts Diagram and Product Warranty Card
- Safety Goggle
- Hex Keys 2.5mm, & 4.0mm Hex Keys 3.0mm Hex Key (stored on tool)

3.2 TECHNICAL SPECIFICATIONS

Model No.	GC1850
Dimensions	10.5"L x 10.3"H x 2.7"W (26.5 x 26 x 6.9 cm)
Weight	4.5 lbs. (2.0 kgs.) includes batteries
Fuel Cartridge	GREX fuel cartridge GFC01 (sold separately)
Fuel Capacity *	Approx. 1,300 shots per cartridge
Battery Type*	2x AAA alkaline batteries (1.5V), IEC LR03
Battery Capacity	Approx. 50,000 shots per set of batteries
Max Cycle Rate †	Approx. 80 shots per minute
Operating Temp.	10°F (-12°C) to 100°F (38°C)
Operating Altitude	Up to 6,500 feet (2000 meters)
Fastener Type	18 gauge brad nails
Fastener Range †	1/2" – 2" (12mm – 50mm)
Fastener Capacity	1 strip (approx. 100 nails)

* Results will vary depending on temperature, altitude, and rate of operation.

† Results will vary depending on battery brand, temperature, and rate of operation.

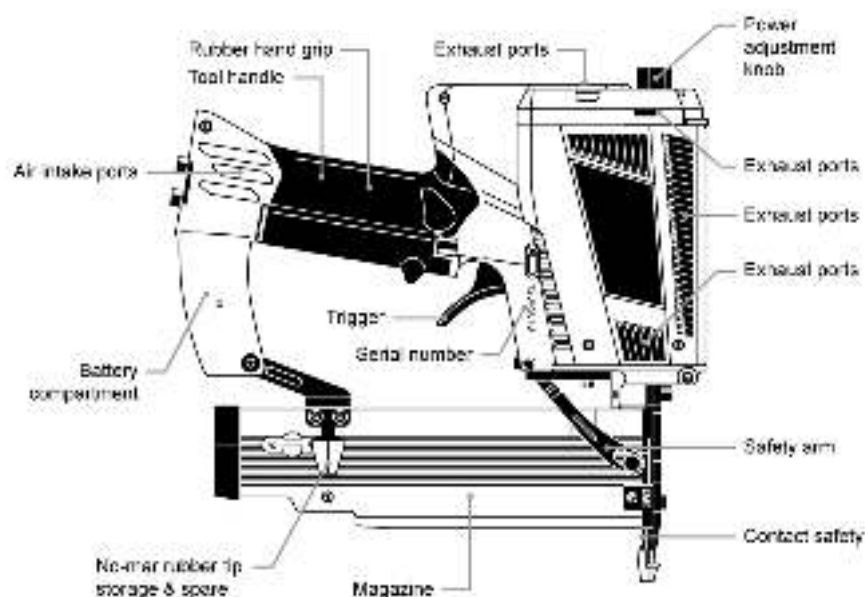
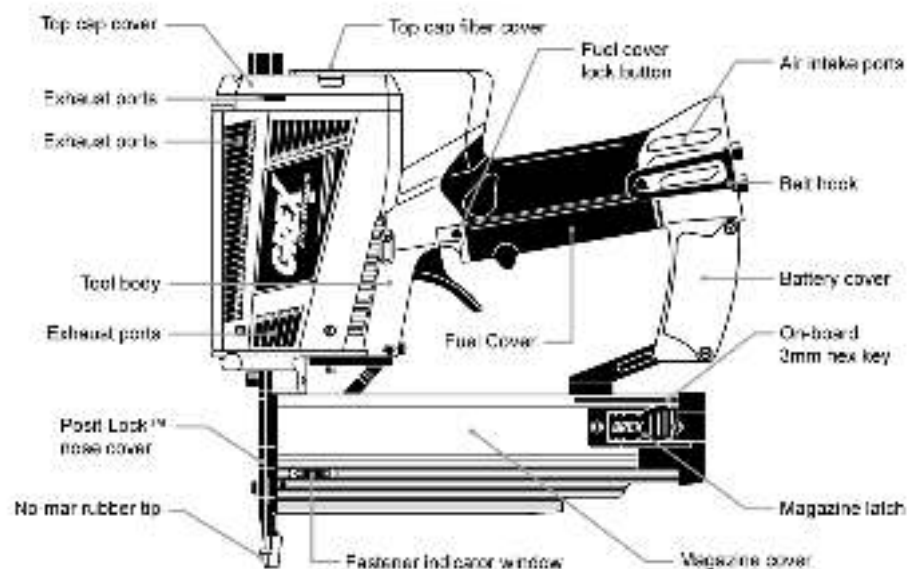
‡ Exceeding the maximum cycle rate could result in tool overheating and loss of performance.

§ Refer to section titled "Fastener Compatibility" for details.

3.3 SUGGESTED APPLICATIONS

Finish and trim work, molding and decorative trim, crown molding, door and window casings, chair rail, hand rail, door stop, wainscoting, door jams, stairs, baseboard molding, caps and base shoe, paneling, apron, cabinets, mirror and picture frame assembly, light wood assembly, display and sign work, craft work, and more.

3.4 TOOL ANATOMY



4.0 FASTENER COMPATIBILITY



WARNING

ONLY use fasteners designated as **18 GAUGE BRAD NAILS**.

Do not use 18 gauge brad nails that are slight headed. Doing so may cause jamming and damage to your tool.

Although most brands of **18 GAUGE BRAD NAILS** are compatible with your Grex Brad Nailer, Grex fasteners are highly recommended due to the optimal tensile strength of the steel used and strict adherence to the standardized 18 gauge brad nail specifications. Using poor quality fasteners or fasteners not manufactured to the correct specifications will cause jamming and damage to your tool.

Use the following chart to identify the Grex product numbers for the different lengths of 18 Gauge Brad nails compatible with your tool.

10 Total Lengths Fastener Lengths		Galvanized and Coated		Stainless Steel	
1/2"	12mm	GBN18-12 (F12)	5,000/bx	GSS*8-12	1,000/pkg
5/8"	15mm	GBN18-15 (F15)	5,000/bx	GSS*8-15	1,000/pkg
3/4"	20mm	GBN18-20 (F20)	5,000/bx	GSS*8-20	1,000/pkg
1"	25mm	GBN18-25 (F25)	5,000/bx	GSS*8-25	1,000/pkg
1-3/16"	30mm	GBN18-30 (F30)	5,000/bx	-	1,000/pkg
1-1/4"	32mm	GBN18-32 (F32)	5,000/bx	GSS*8-32	1,000/pkg
1-1/2"	38mm	GBN18-38 (F38)	5,000/bx	GSS*8-38	1,000/pkg
1-5/16"	40mm	GBN18-40 (F40)	5,000/bx	-	1,000/pkg
1-3/4"	45mm	GBN18-45 (F45)	5,000/bx	GSS*8-45	1,000/pkg
2"	50mm	GBN18-50 (F50)	5,000/bx	GSS*8-50	1,000/pkg

GBN18-MP Multi-Pack

1/2" (12mm), 5/8" (20mm), 3/4" (20mm), 1" (25mm),
1-1/4" (32mm), 1-1/2" (38mm), 1-3/4" (45mm), 2" (50mm)
4,000 pcs. total per pack, 500 pcs. of each length

5.0 HOW IT WORKS



CAUTION Before attempting to use or service this tool, carefully read and understand all rules and instructions for safe operation.

The GREX Cordless tool is powered by a new innovative and highly efficient internal combustion engine. An air and fuel mixture is ignited in the engine to produce the energy needed to drive fasteners. This is a self-contained tool that utilizes designated portable fuel cartridges and a pair of AAA alkaline batteries as power sources. Once batteries, a fuel cartridge and fasteners are loaded properly into the tool, the operator drives nails by simply controlling the safety mechanism and trigger of the tool.



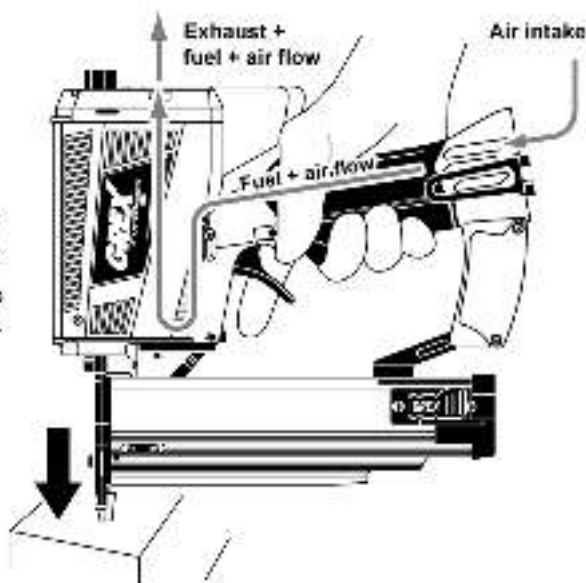
DO NOT LUBRICATE THE TOOL. Doing so will damage the tool. This tool was specifically designed to operate in the absence of lubrication for the piston to provide for a cleaner combustion, which results in less frequent regular maintenance.

STEP 1

Fully depress safety mechanism onto the work piece.

Once the safety is depressed, the following will occur in sequence.

1. a set amount of fuel and air mixture is injected into the combustion chamber.
2. the flow of fuel and air mixture pushes residual exhaust gases out of the tool.
3. the trigger will be ready to be pulled.



Since depressing of the safety controls the injection of fuel, here are the key points to follow.

- A.** the contact safety must be **FULLY** depressed in order for the correct amount of fuel to be injected. Failure to fully depress the safety will result in insufficient fueling, which can cause reduced power and/or failure for the fuel to ignite.
- B.** make sure the air intake ports are clean and unblocked. Failure to keep the air intake ports clean and unblocked will result in inadequate air being mixed with the fuel thereby causing no ignition.
- C.** make sure the top exhaust port is clean and unblocked. Blockage at the top exhaust port will restrict the flow of residual exhaust gases out of the tool. Too much residual exhaust gases remaining in the tool can cause reduced power and/or failure for the fuel to ignite.

5.0 HOW IT WORKS (continued)

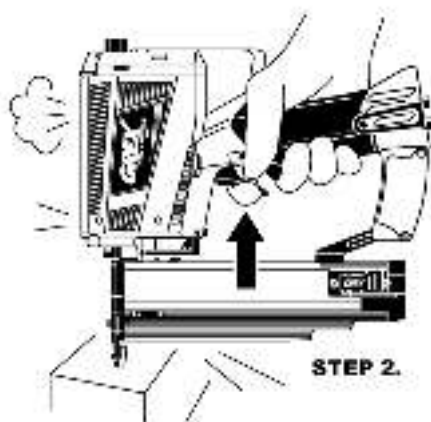
STEP 2

Pull the trigger to drive a nail.

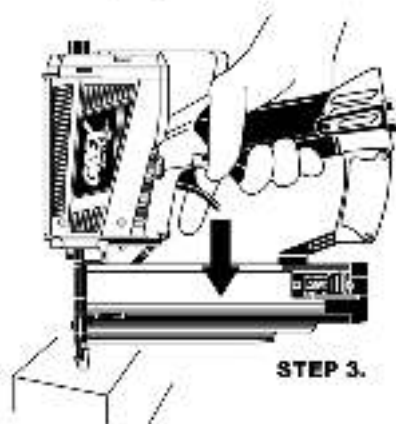
As the trigger is pulled, the following will occur in sequence.

1. the input and output valves of the combustion chamber will close, capturing the new fuel and air mixture inside the combustion chamber and ready to be ignited.
2. the igniter switch will be activated causing a high voltage electric spark to be sent to the spark plug to ignite the fuel.
3. a fastener will be driven into the work piece.

Make sure the trigger is fully pulled each time so the tool can successfully initiate these full sequence of events.



STEP 2.



STEP 3.

STEP 3

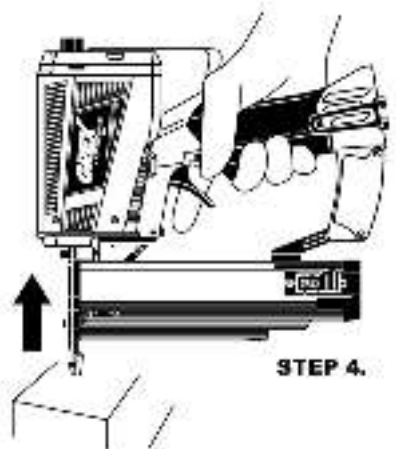
Release the trigger.

Make sure the trigger is **FULLY** released so that the input and output valves of the combustion chamber are fully opened and ready for the next new injection of fuel and air mixture. Failure to fully release the trigger will prevent proper fuelling resulting in reduced power and/or failure for the fuel to ignite.

STEP 4

Fully lift contact safety off the work surface.

Make sure the contact safety is **FULLY** released from the work surface to properly reset the amount of fuel to be injected on the next shot. Failure to fully release the safety mechanism will prevent proper fuelling resulting in reduced power and/or failure for the fuel to ignite.



STEP 4.

6.1 PRE-OPERATION CHECKLIST



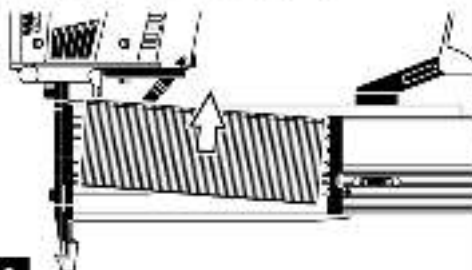
WARNING Read section titled "Safety instructions" on page 3 before operating tool

Wear safety glasses or goggles and any necessary protective safety equipment



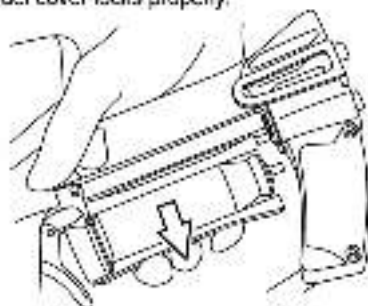
1

Remove all fasteners and check that the magazine cover locks properly



2

Remove the fuel cartridge and check that the fuel cover locks properly.

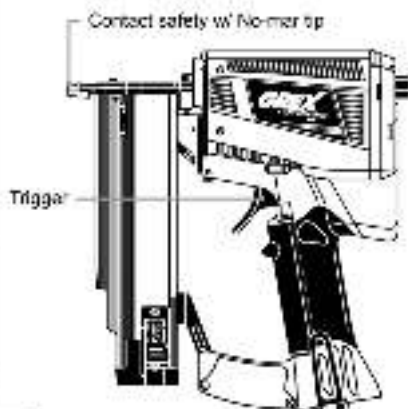


3

Refer to section 6.6 on page 21 "Unloading Fuel Cartridges" for instructions

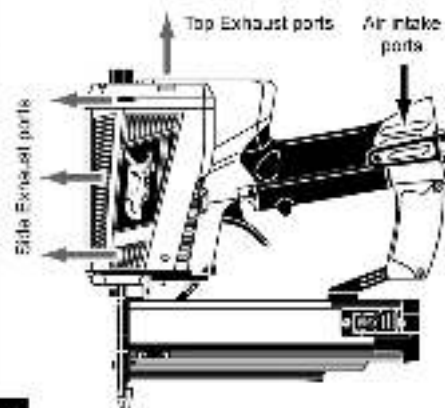
4 Inspect all screw tightness.

Check for smooth and proper operation of the trigger and safety.



5

Check that all intake and exhaust ports are clean and unblocked.



6

7 Follow steps in section "Testing the Tool".

6.2 TESTING THE TOOL



WARNING

Read section titled "Safety Instructions" on page 3 before operating tool.

Never use tool unless safety is operating properly.

If abnormal operation occurs, contact Grex or an authorized service center immediately.

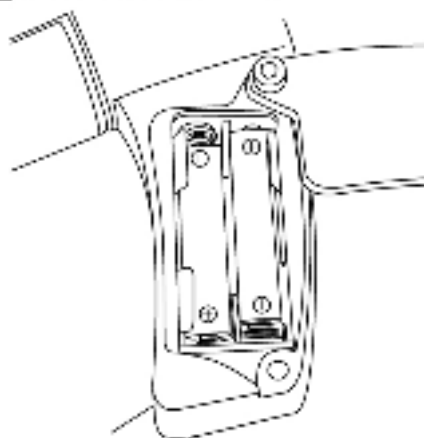
1

Wear safety glasses or goggles and any necessary protective safety equipment.



3

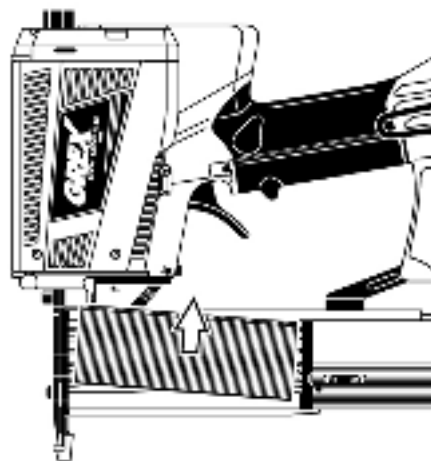
Insert batteries into the tool.



Refer to section 6.4 on page 18
"Inserting Batteries" for instructions

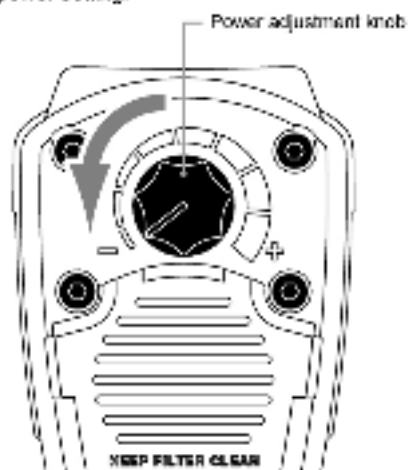
2

Remove all fasteners and keep the magazine cover slightly open.



4

Turn the Power Adjustment Knob fully counter-clockwise for the lowest power setting.



Instructions continued on following page.

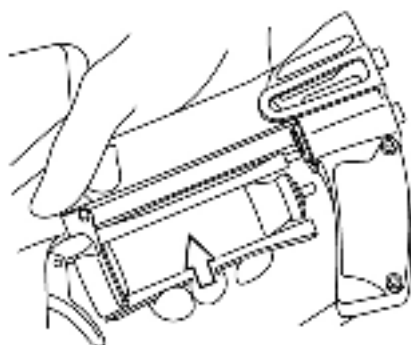
6.2 TESTING THE TOOL (continued)**WARNING**

Read section titled "Safety Instructions" on page 3 before operating tool.

Never use tool unless safety is operating properly.

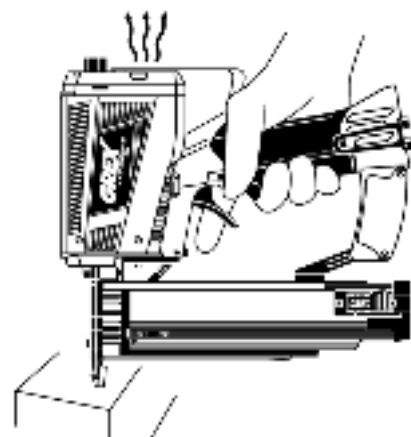
If abnormal operation occurs, contact Grex or an authorized service center immediately.

- 5** Insert a fuel cartridge.
Check that there are no leaks.

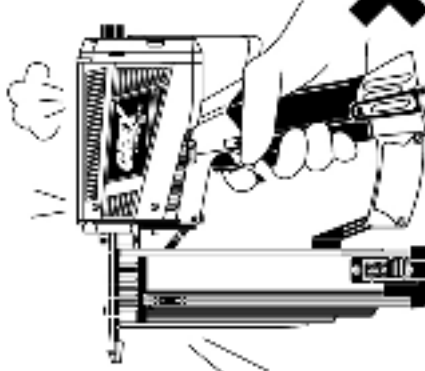


Refer to section 6.5 on page 19
"Loading Fuel Cartridges" for instructions

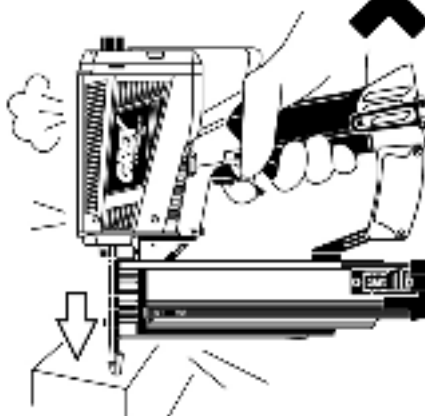
- 6** Fully depress safety against the work piece.
You should hear the tool being fueled.



- 7** Lift tool off work piece.
Keep tool pointed downwards.
Pull and hold the trigger.
The tool must **NOT** drive.



- 8** Still holding the trigger.
Depress safety against the work piece.
Safety must **NOT** move up fully.
Tool must **NOT** drive.



Instructions continued on following page.

6.2 TESTING THE TOOL (continued)



WARNING

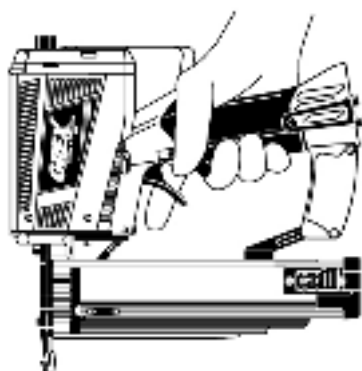
Read section titled "Safety Instructions" on page 3 before operating tool.

Never use tool unless safety is operating properly.

If abnormal operation occurs, contact Grex or an authorized service center immediately.

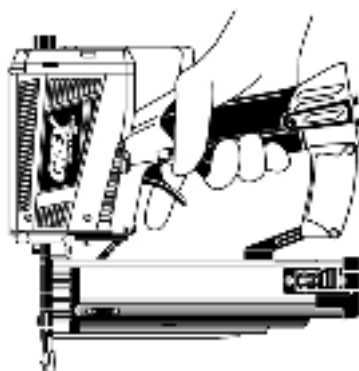
9

Lift tool off the work piece.
Release the trigger.



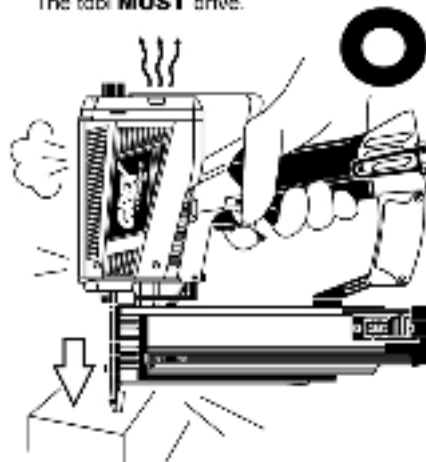
11

Release the trigger.
Lift tool off the work piece.
The test is complete.



10

Fully depress safety against the work piece.
Pull on trigger and **HOLD**.
The tool **MUST** drive.



**If no abnormal operation is observed,
you may load fasteners into the tool.**

6.3 BATTERY GUIDELINES

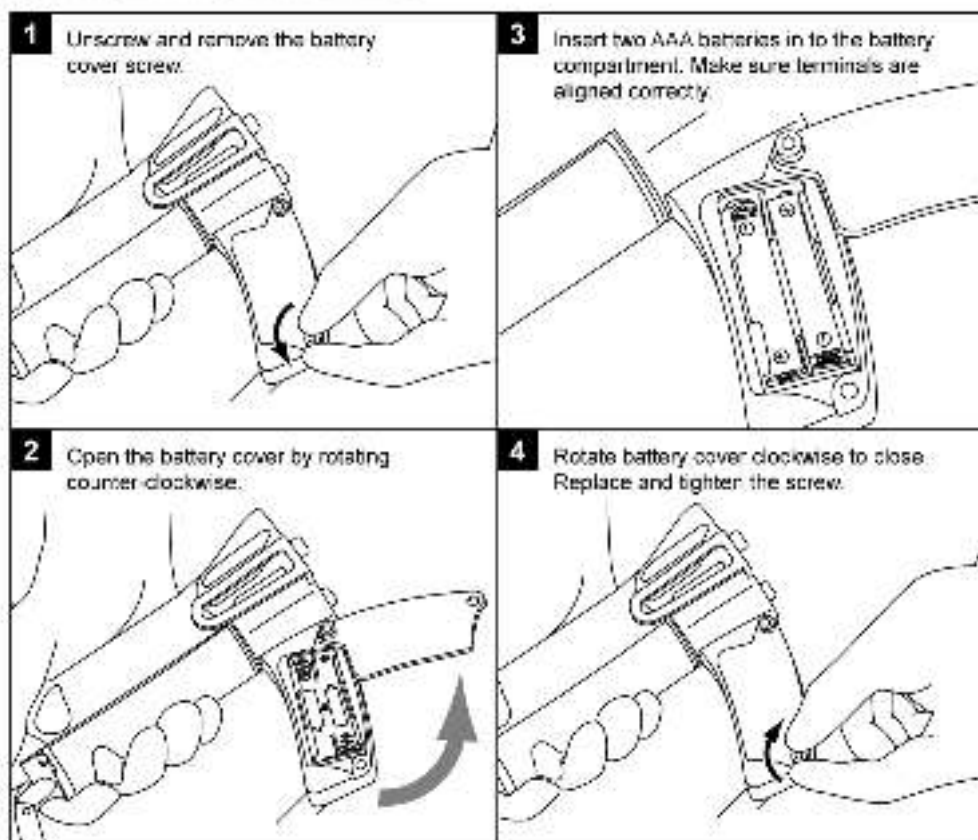
- Uses **2x AAA** alkaline batteries (1.5V), IEC LR03.
- For best performance, use alkaline, zinc-manganese dioxide batteries.
- Change both batteries at the same time and use both batteries of the same brand.
- Keep the battery contact surfaces clean.
- Remove the batteries from the tool when it is not expected to be used for several weeks.
- Most batteries can be disposed of with normal household waste. Always check with your local waste authorities for proper disposal procedures.

Can I use rechargeable batteries?

Yes, NiMH or LiIon AAA rechargeable batteries can be used in place of standard alkaline batteries. For best performance, choose rechargeable batteries with a capacity of at least 1000mAh.

- Regardless of which battery you choose to use, always follow the battery manufacturer's instructions for proper battery care, use and disposal.

6.4 INSERTING BATTERIES



6.5 LOADING FUEL CARTRIDGES



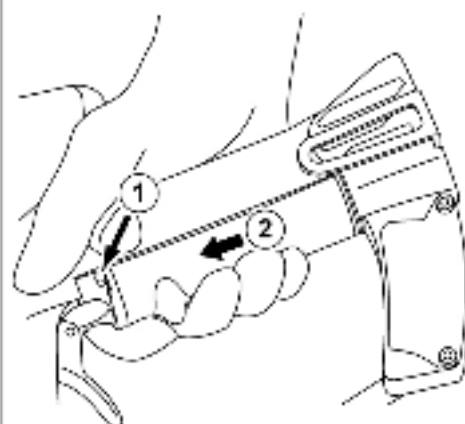
WARNING

Read section titled "Safety Instructions" on page 3 before operating tool.

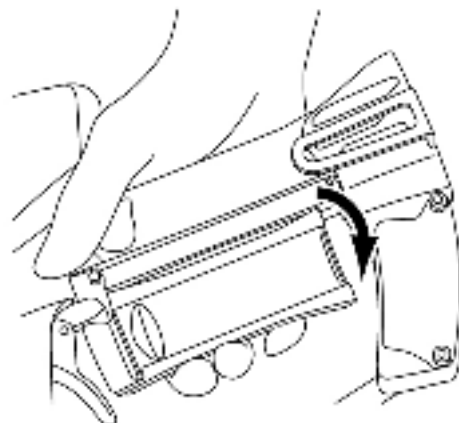
Never use tool unless safety is operating properly.

If abnormal operation occurs, contact Grex or an authorized service center immediately.

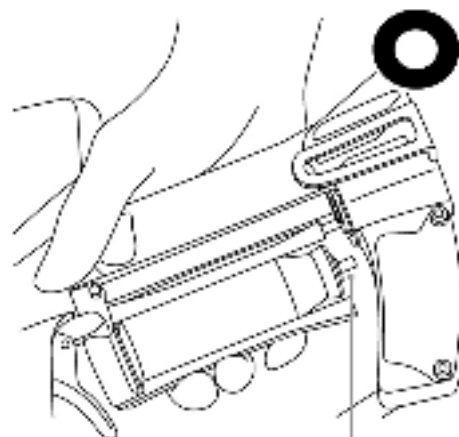
- 1** Push in on the fuel cover lock button, then slide fuel cover forward.



- 2** Swing fuel cover open.



- 3** Insert fuel cartridge into the fuel cover.



Make sure cartridge valve points towards back of tool

DO NOT insert fuel cartridge in to the tool handle directly.



Instructions continued on following page.

6.5 LOADING FUEL CARTRIDGES (continued)

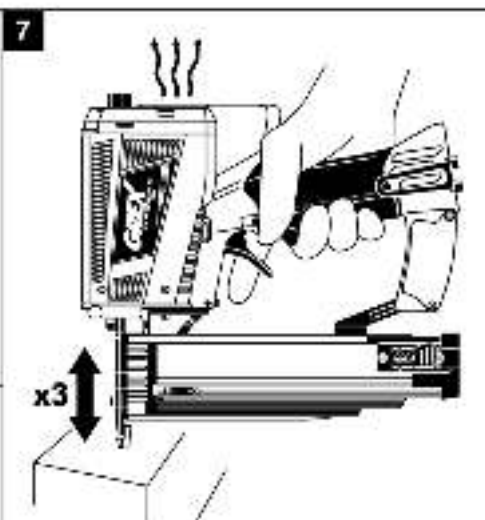
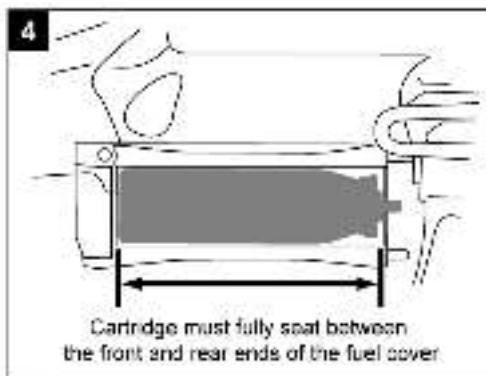


WARNING

Read section titled "Safety Instructions" on page 3 before operating tool.

Never use tool unless safety is operating properly.

If abnormal operation occurs, contact Grex or an authorized service center immediately.



Open the magazine cover.
Fully depress safety of tool on work piece.
You should hear fuel being injected.
Then lift tool entirely off work surface.

Repeat fully depressing safety on work piece and fully lifting tool off surface a total of 3 times.

This process is recommended each time after a new fuel cartridge is inserted.

6.6 UNLOADING FUEL CARTRIDGES



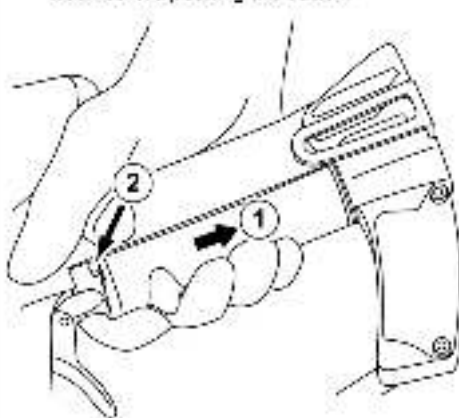
WARNING

Read section titled "Safety Instructions" on page 3 before operating tool.

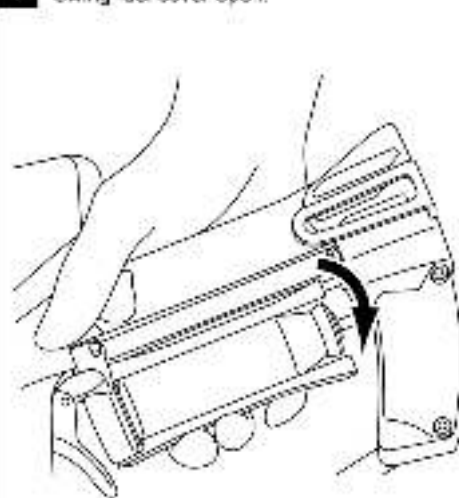
Never use tool unless safety is operating properly.

If abnormal operation occurs, contact Grex or an authorized service center immediately.

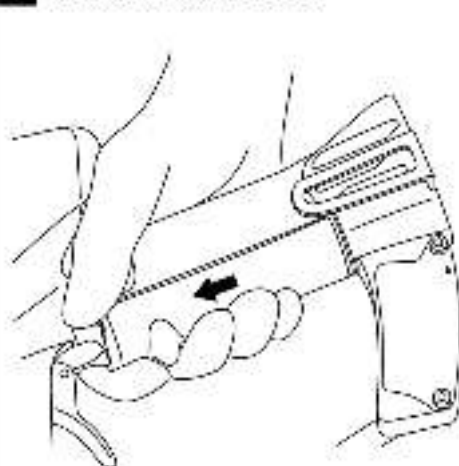
- 1** Push in on the fuel cover lock button.
NOTE: If there is still fuel in the cartridge, it is easier to first tilt the fuel cover slightly back before pushing the button.



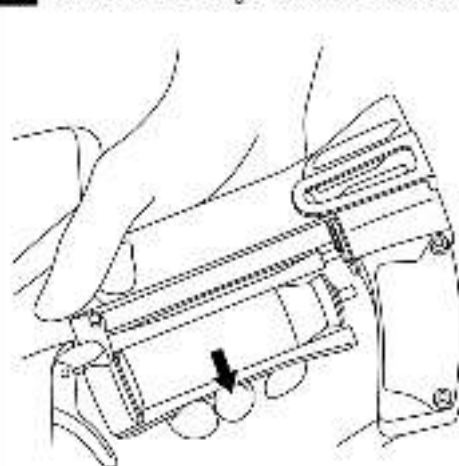
- 3** Swing fuel cover open.



- 2** Slide the fuel cover forward.



- 4** Remove the cartridge from the fuel cover.



6.7 POWER SETTINGS & NAILING DEPTH ADJUSTMENT



WARNING

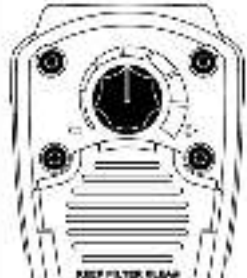

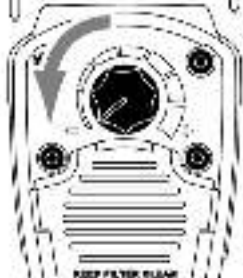


Read section titled "Safety Instructions" on page 3 before operating tool.

Never use tool unless safety is operating properly.

If abnormal operation occurs, contact Grex or an authorized service center immediately.

The depth at which the tool can drive a fastener into the work piece is dependent on several factors.

- Length of nail
- Hardness of work piece
- Power setting
- How firmly tool is held against the work piece

<p>Begin with the Power Adjustment Knob set to MEDIUM power by turning the knob to the 12 O'CLOCK position.</p>  <p>KEEP FILTER CLEAN</p>	<p>If the nails are driven in TOO DEEP, decrease power by turning the Power Adjustment Knob COUNTER-CLOCKWISE.</p>   <p>KEEP FILTER CLEAN</p>	<p>If the nails are driven in TOO SHALLOW, increase the power by turning the Power Adjustment Knob CLOCKWISE.</p>   <p>KEEP FILTER CLEAN</p>
--	--	--

- According to the length of nails and hardness of the work piece, set the appropriate power setting.
- The correct power setting is the lowest power setting that will set the nails at the required depth.
- Before driving fasteners into the work piece, test drive fasteners on similar materials to be used in the actual application to determine the correct power setting.
- Insufficient power settings will prevent your tool from setting nails all the way into your work piece.
- When using the same length of nails, material hardness, and a constant power setting, a consistent nailing depth is achieved by **ALWAYS** holding the tool firmly against the work piece.



WARNING

ALWAYS use the minimal power necessary. Adjust the Power Adjustment Knob to the lowest power setting that will allow the tool to correctly set the fasteners into the work piece. Excessive power may set nails too deep into your work piece, damage the work piece, and/or put excessive wear and potential damage to your tool.

6.8 LOADING FASTENERS

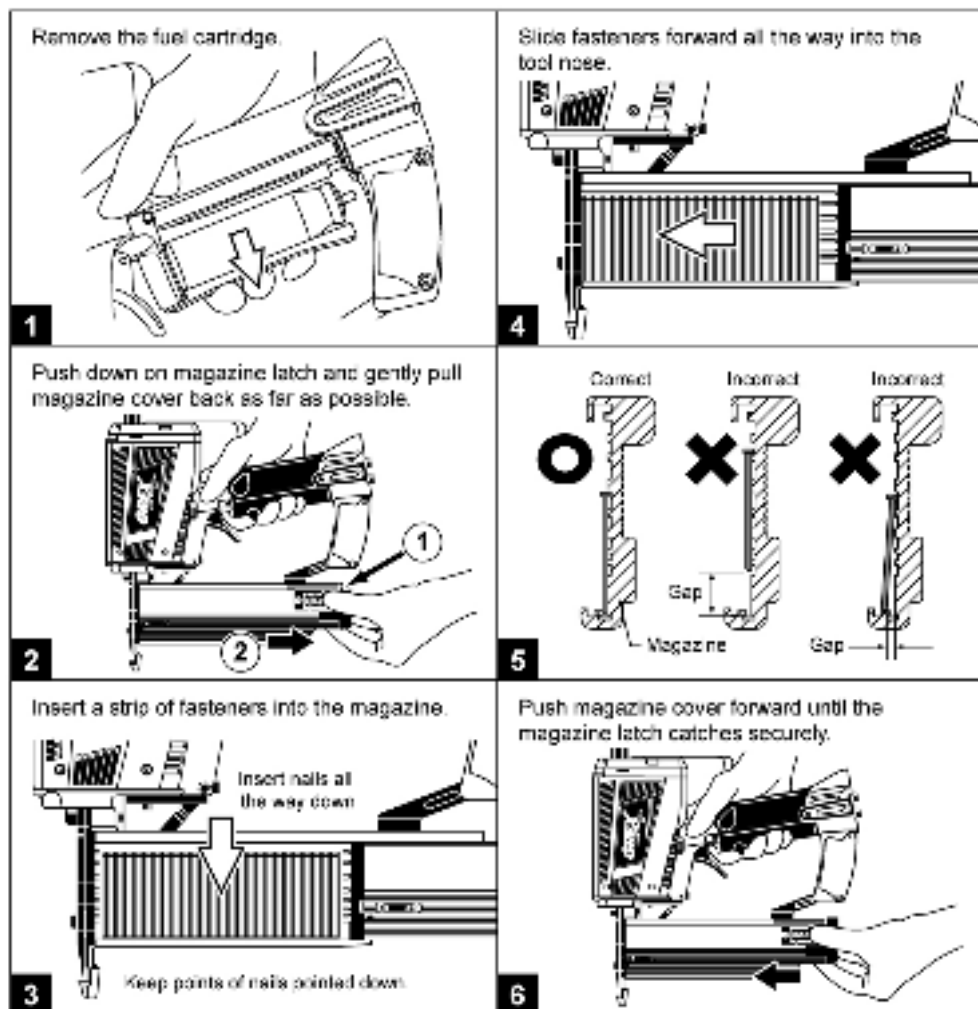


WARNING

Read section titled "Safety Instructions" on page 3 before operating tool.

NEVER load different lengths and/or types of fasteners at the same time. Doing so, could result in jamming and/or damage to your tool.

Before loading fasteners, **ALWAYS** remove existing fasteners and/or fastener strip fragments in the nose area that may have been left over from the previous work session.



WARNING

When loading fasteners into the tool, do not depress trigger or safety mechanism.

Keep yourself as well as other persons away from the nose to avoid possible injury.

6.9 MODE OF OPERATION



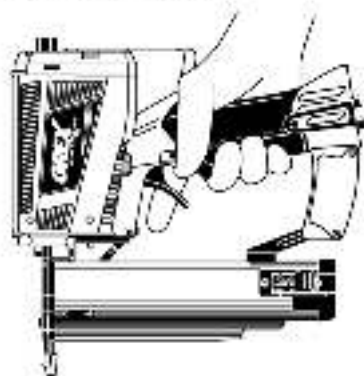
WARNING

Read section titled "Safety Instructions" on page 3 before operating tool.

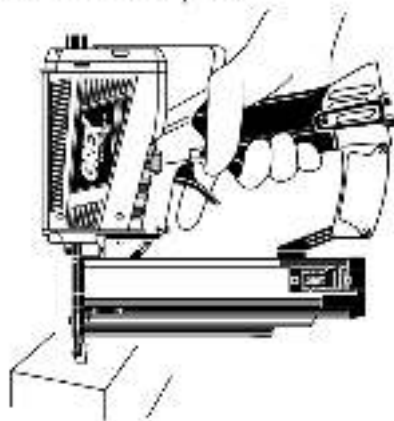
Before operating tool, make sure you have gone through the pre-operation checklist with no problems. Also make sure the power setting is adjusted correctly, inserted batteries correctly, and loaded both the fuel cartridge and fasteners correctly.

This tool only operates in a **Sequential Fire Mode**. Certain steps must be followed and repeated in order to operate the tool. After driving each fastener, it will not be possible to drive another fastener until the trigger is released and the tool is fully lifted off the work surface to allow the contact safety to reset.

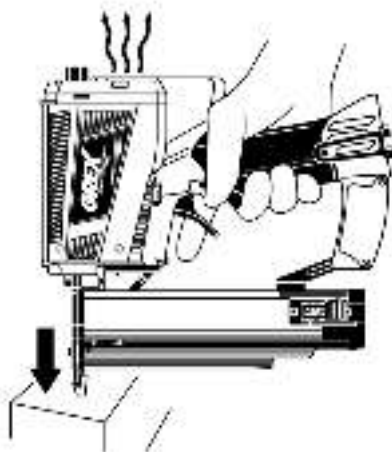
- 1** Begin with tool off from work piece and fingers off the trigger.



- 2** Place the nose of the tool on desired location of the work piece.



- 3** Fully depress the safety. You should hear the fuel being injected.



IMPORTANT

Safety must be fully depressed each time to assure proper fueling.

If this is the first time the tool is used since loading a fuel cartridge and/or the tool was left inactive for a period of time,

Prime the tool by fully depressing safety on work piece and fully lifting tool off surface a total of 3 times.

Instructions continued on following page.

6.9 MODE OF OPERATION (continued)

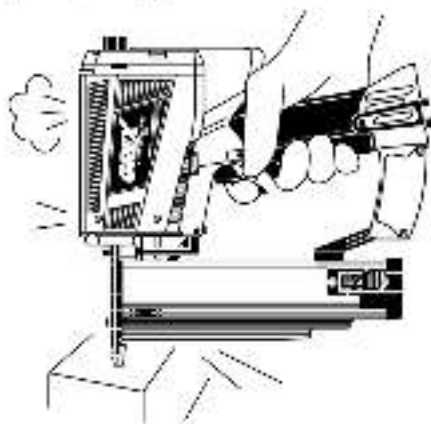


WARNING

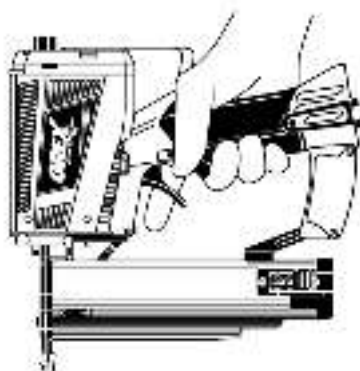
Read section titled "Safety Instructions" on page 3 before operating tool.

Before operating tool, make sure you have gone through the pre-operation checklist with no problems. Also make sure the power setting is adjusted correctly, inserted batteries correctly, and loaded both the fuel cartridge and fasteners correctly.

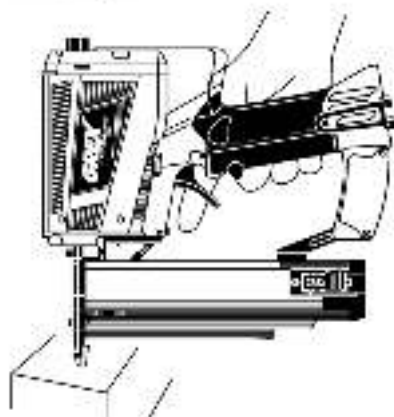
- 4** Then pull trigger to drive fastener.



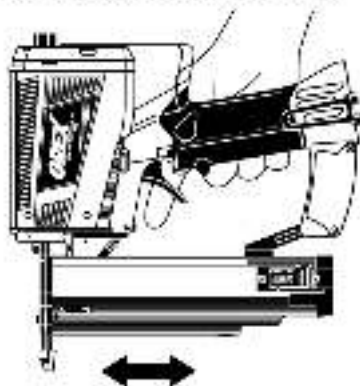
- 6** Lift tool entirely off from work piece.



- 5** Release trigger.



- 7** To drive additional fasteners, move tool to next location, repeats steps 2 through 6.



WARNING

DO NOT drive nails into metal. Doing so will damage the driver and may cause personal injury to yourself and/or bystanders. Make sure there is no hidden metal in the workpiece (such as screws and nails) that your tool can potentially drive nails in to.

6.10 NO-MAR RUBBER TIP

The removable rubber tip prevents marring of your work material. It can also be easily removed and stored for safe-keeping behind the magazine cover end cap. Markings on the side of the tip create a 4-point alignment guide to precisely place fasteners.



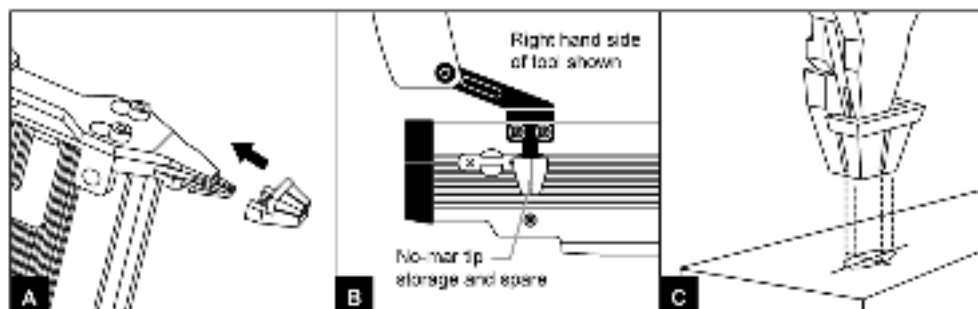
WARNING: When detaching or attaching the no-mar tip, be sure to first unload the fuel cartridge from the tool and remove your finger from the trigger area.

Attaching the Rubber Tip - Firmly push tip onto the end of the safety as shown in Fig. A. To ensure the tip locks securely onto the safety, position the taller side of the tip towards the back.

Detaching the Rubber Tip - Slightly twist the no-mar tip backwards and pull off from the tool.

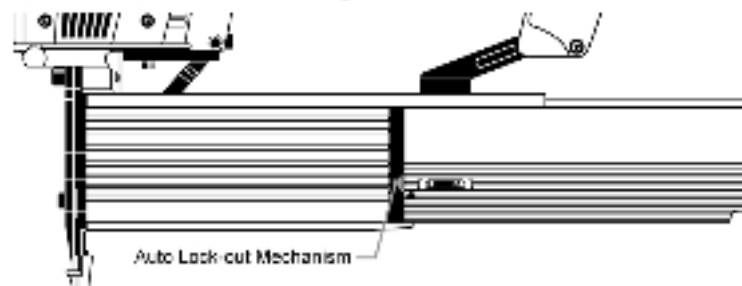
No-Mar Tip Storage - When the no-mar rubber tip is not necessary, it can be easily removed and stored for safe-keeping behind the magazine cover end cap Fig. B

4-Point Alignment Guide - Markings on the side of the tip create a 4-point alignment guide to precisely place fasteners. As shown in Fig. C, the markings on each side of the tip indicates the precise location where fastener will be driven. Simply align the four marks as a target shown in the figure.



6.11 AUTO LOCK-OUT FEATURE

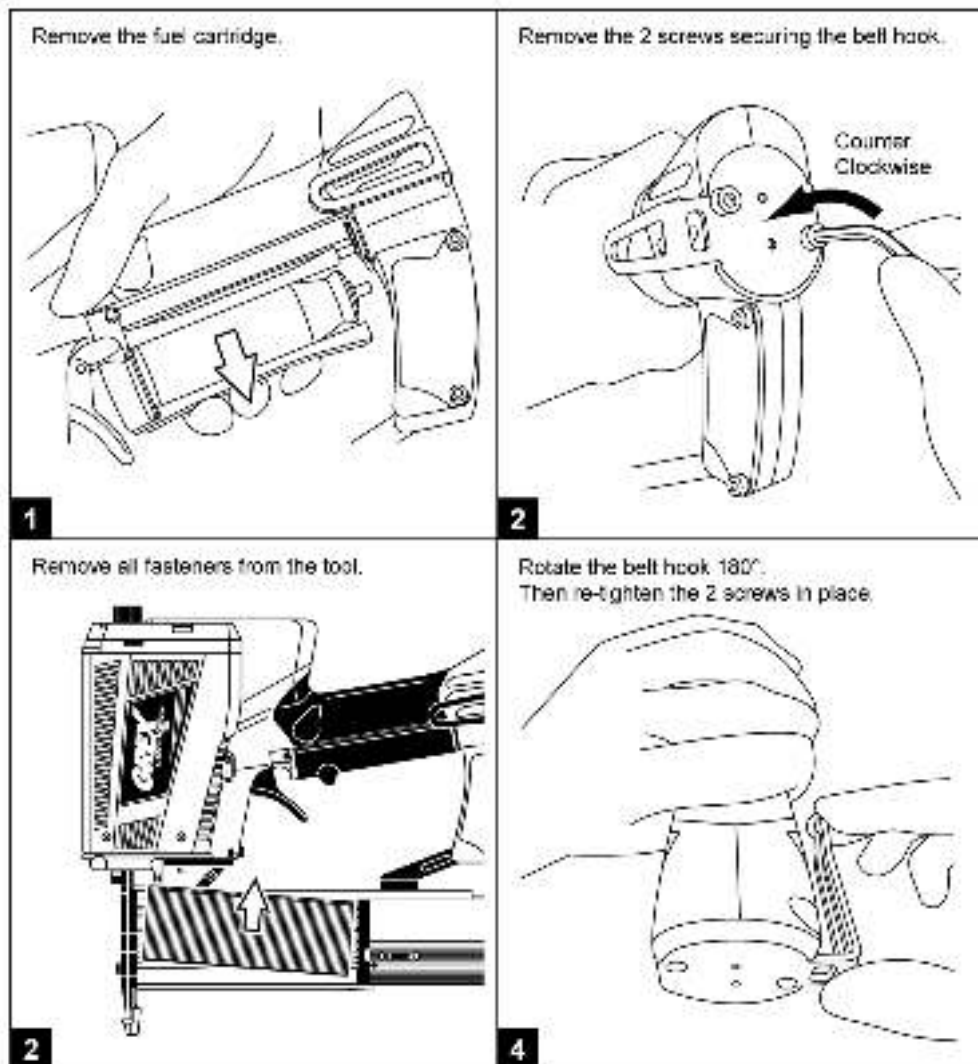
The Auto Lock-out mechanism prevents empty firing of the tool and alerts the user that more fasteners need to be loaded. When the tool magazine has zero fasteners remaining, the auto lock-out mechanism will activate to prevent the safety from being depressed. The trigger cannot be pulled and the tool will **NOT** operate unless more fasteners are loaded into the magazine.



6.12 ADJUSTABLE BELT HOOK

The integrated belt hook allows the tool to be conveniently hung on your tool belt, thereby freeing both of your hands to reposition your work piece and/or safely moving up and down a ladder.

This belt hook, by default, is mounted on the tool for a right handed operator. However, it can easily be adjusted to accommodate a left handed operator by following these steps.





WARNING: Never attempt any maintenance of tool without first removing the fuel cartridge and batteries. Maintenance should only be started after the tool is COMPLETELY inoperative.

7.1 SERVICING

There are certain problems you may encounter when using the tool that you'll be able to correct on the work site. The following field service procedures are the only service procedures you should attempt. Anything else that may appear wrong with your tool should only be diagnosed and repaired by a fully trained service technician. If you have any reason to believe that your problem is beyond the service procedures in this manual, contact Grex immediately. Attempts to go beyond these procedures could result in serious personal injury or damage to the tool and void the warranty.

Restrict field service to the following:

- Cleaning jammed fasteners.
- Checking and replacing batteries.
- Checking and replacing fuel cartridge.
- Cleaning the tool and filters.

7.2 LUBRICATION

DO NOT LUBRICATE piston area of the tool. This tool is designed to **NOT** require piston lubrication.

7.3 CLEAN AND INSPECT DAILY

In order to maintain the performance of the tool, clean and inspect the tool periodically. Keeping your tool clean and free of debris is essential to maintaining proper operation. Failure to keep the tool clean will result in erratic operation and/or malfunction.

Wipe tool clean

Use non-flammable cleaning solutions to wipe exterior of tool only if necessary. **DO NOT SOAK** tool with cleaning solutions, such solutions can damage internal parts.

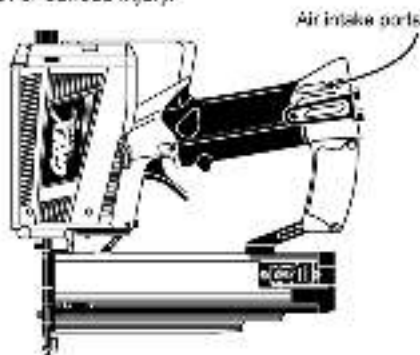
Keep the tool free of any dust and debris, especially near any of the exhaust ports. Failure to do so will result in the dust and debris potentially entering inside the tool causing malfunction.

DANGER: Never use gasoline or other flammable liquids to clean the tool. Vapors in the tool will ignite by a spark and cause the tool to explode and result in death or serious injury.

CAUTION: Dry off tool completely before use.

Clear debris from the air intake ports

Make sure the air intake ports are clean and free from any debris that can potentially cause blockage of the ports. Failure to keep the air intake ports clean will result in inadequate air being mixed with the fuel causing no ignition.





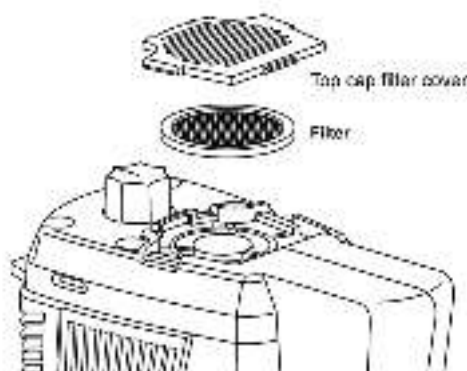
WARNING: Never attempt any maintenance of tool without first removing the fuel cartridge and batteries. Maintenance should only be started after the tool is COMPLETELY inoperative.

7.3 CLEAN AND INSPECT DAILY (continued)

Clear debris from the top exhaust port

Make sure the top exhaust port is clear. Blockage at the top exhaust port will restrict the flow of residual exhaust gases that are being pushed out by the new fuel and air mixture. Too much residual exhaust gases remaining in the tool can cause reduced power and/or failure for the fuel to ignite.

Open the Top Filter Cover by lifting up on the side tabs. Remove the filter from the tool and tap the filter GENTLY to remove any dust and debris. If necessary, an air blow gun can be used to clean the filter. Check and clean the filter each day before use.



Clean the magazine

Remove wooden chips which may have accumulated in the magazine. Lubricate with tool lubricant.

CAUTION: Check that the magazine cover slides smoothly by pulling it with a finger. If not smooth, fasteners can be driven at an irregular angle and injure someone.

7.4 FUEL CARTRIDGE CHECK

With the fuel cartridge out of the tool, check to see if the cartridge still contains fuel. To determine if there is any fuel remaining in the fuel cartridge, hold in the upright position and quickly push and release the valve stem against a solid hard object. A small amount of fuel should be released.

WARNING: Wear safety glasses when performing this test. Never perform this test near an open flame or sparks, or while smoking. Do not allow released fuel from getting into your eyes or any part of your skin. Be sure to direct released fuel away from yourself and any bystanders.

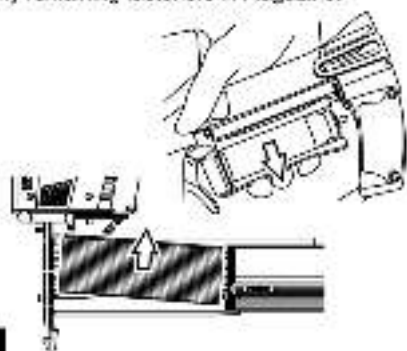
If fuel is not released, this indicates there is no fuel remaining in the cartridge and it must be replaced. Be sure to properly dispose of the empty fuel cartridge.

7.5 STORAGE

- When not in use for an extended period, apply a thin coat of lubricant to the steel parts to avoid rust.
- Do not store tool in a cold weather environment. Keep tool in a warm area.
- When not in use, the tool should be stored in a cool and dry area – out of reach of children.
- Always use the tool carrying case for transporting and storing tool. Keep carrying case clean.
- Remove fuel cartridge from tool when not in use for a extended period. (SEE PAGE 4)
- Store fuel cells properly and dispose of all empty fuel cells properly. (SEE PAGE 4)

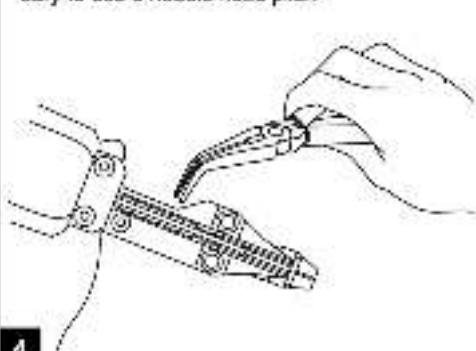
7.6 CLEARING JAMMED FASTENERS

Remove fuel cartridge from tool and remove any remaining fasteners in magazine.



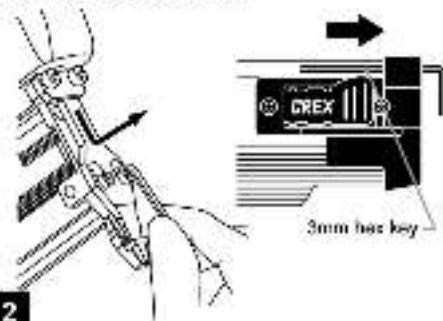
1

Remove the jammed fastener. It may be necessary to use a needle nose plier.



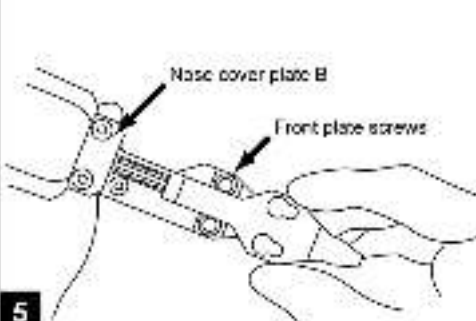
4

Loosen Posit-Lock™ nose cover screws using 3mm hex key stored on tool. Then slide down and lift off the front plate.



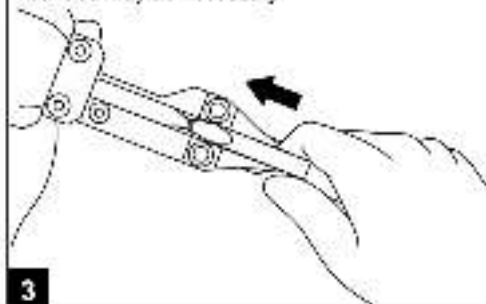
2

Align Posit-Lock™ nose cover with screws and nose cover plate B. Then slide completely up.



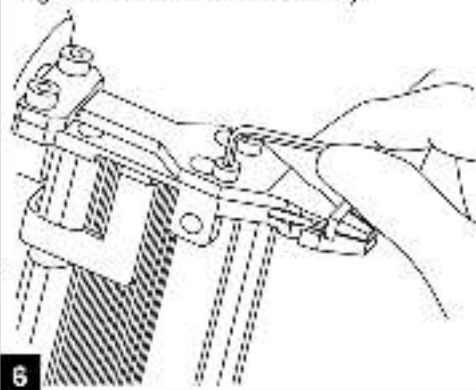
5

If the driver blade is in the down position, gently and carefully push it back into the tool. A flat-head screwdriver or something with a flat surface may be necessary.



3

Tighten nose cover screws securely.



6

7.7 TROUBLESHOOTING



Read section titled "Safety Instructions" before attempting to troubleshoot tool.

Stop using the tool immediately if any of the following problems occur. Serious personal injury could occur. Most minor problems can be resolved quickly and easily by the table below. If problems persist, contact Grex directly.

Disconnect tool from air supply before performing any service procedures.

Symptom	Possible Cause	Remedy
Fasteners will not drive deep enough	Tool allowed to recoil off work piece.	Especially for hard woods, be sure to firmly hold tool on work piece when driving fastener.
	Power levels too low.	Turn Power Adjustment Knob clockwise to increase power levels.
	Insufficient fueling.	Be sure to fully depress safety on workpiece before pulling trigger. And fully lift tool off from work piece each time.
	Fuel cartridge is low.	Replace fuel cartridge.
	Loss of seal in combustion chamber.	Check top cap screws are tightened. Replace top cap gasket if worn or damaged. Replace o-rings and seals of combustion chamber valve if worn/damaged. Replace power adjuster spring. Replace side exhaust seals.
	Piston seal worn out.	Replace seal around piston of driver blade.
Fasteners driven too deeply	Driver blade rounded off and slipping off fastener head or broken	Replace driver.
	Power levels too high.	Turn Power Adjustment Knob counter-clockwise to decrease power levels.
Tool operates, but no fastener is driven	Worn bumper.	Replace bumper.
	There is a jammed fastener.	Clear jammed fastener.
	Magazine pusher spring weakened or damaged.	Replace pusher spring.
	Wrong fasteners used	Use fasteners with correct technical specifications.

7.7 TROUBLESHOOTING (continued)

Symptom	Possible Cause	Remedy
Driver blade not returning to up position	Dirt and debris in nose area.	Clean nose area.
	Piston seal worn out.	Replace seal around piston of driver blade.
	Insufficient fueling.	Be sure to fully depress safety on workpiece before pulling trigger. And fully lift tool off from work piece each time.
	Loss of seal in combustion chamber.	Check top cap screws are tightened. Replace top cap gasket if worn or damaged. Replace o-rings and seals of combustion chamber valve if worn/damaged. Replace power adjuster spring. Replace side exhaust seals.
	Fuel cartridge is low.	Replace fuel cartridge.
Tool operates erratically. Appears to be losing power	Fuel cartridge is low.	Replace bumper
	Battery levels low.	Replace batteries.
	Insufficient fueling.	Be sure to fully depress safety on workpiece before pulling trigger. And fully lift tool off from work piece each time.
	Tool is dirty.	Clean tool.
	Air intake ports blocked and/or dirty.	Clean air intake ports.
	Exhaust ports blocked and/or dirty	Clean top exhaust filter and side exhaust ports
	Tool is overheated.	Allow tool to cool down before use.
	Spark plug dirty.	Clean or replace as necessary.
Safety does not depress fully	Safety arm is bent or buildup of debris in track restricts operation.	Inspect safety mechanism and clean all areas that appear to restrict its motion.
	Lock-out feature is engaged.	Replace fuel cartridge.

7.7 TROUBLESHOOTING (continued)

Symptom	Possible Cause	Remedy
Fastener misfire (skips)	Driver blade not returning to up position.	Refer to section below.
	Dirt in nose area	Clean nose area.
	Dirt or damage prevents fasteners from moving freely in magazine.	Clean magazine.
	Wrong fasteners used.	Use fasteners with correct technical specifications.
Fasteners jamming	Wrong fasteners used.	Use fasteners with correct technical specifications.
	Fasteners are bent.	Replace with undamaged fasteners.
	Magazine or nose screws loose.	Tighten screws.
	Insufficient power.	Be sure to fully depress safety on workpiece before pulling trigger. And fully lift tool off from work piece each time.
Do not hear fueling	Empty fuel cartridge.	Replace fuel cartridge.
	Safety not fully depressed.	Be sure to fully depress safety on workpiece before pulling trigger. And fully lift tool off from work piece each time.
	Safety not returning to default down position.	Inspect safety mechanism and clean all areas that appear to restrict its motion.
	Fuel cartridge not loaded properly.	Open fuel cartridge cover and reload.
	Dirt or debris in fuel flow path.	Clean fuel inlet port where fuel cartridge plugs into.
Do not hear ignition spark	Battery levels too low.	Replace batteries.
	Spark plug dirty.	Clean or replace as necessary.
	Spark plug wire loose.	Re-insert spark plug wire.

GreX Power Tools One Year Limited Warranty

GreX Power Tools warrants its professional power tools are to be free of defects from workmanship and material for a period of one year from the date of original date of purchase (exceptions: fuel cartridges, rubber o-rings, bumpers, seals & driver blades). We will repair or replace at our option, any parts of the product and accessories covered under this warranty, which after examination, proves to be defective in workmanship or material during the warranty period. For repair or replacement, contact GreX directly. Proof of purchase may be required.

This warranty does not apply to repair or replacement required due to misuse, abuse, normal wear and tear or repairs and alterations attempted or made by other than our Service Center or Authorized Service Stations. In no event shall GreX be liable for any indirect, incidental, or consequential damage from the sale or use of this product. This disclaimer applies both during and after the term of warranty.

This is the only warranty and our company makes no warranties expressed or implied, including merchantability and fitness for a particular purpose, after the one year term of this warranty.

This limited warranty gives you specific rights, and you may also have other rights, which vary from state to state.

All information, text and images contained in this publication are the property of GreX Power Tools. Unauthorized distribution, duplication, appropriation or reproduction in whole or in part is strictly prohibited.

© 2015 GREXUSA. All Rights Reserved.

GREX POWER TOOLS

1090 Monterey Pass Road, Monterey Park, CA 91754
Tel. 323-318-2626 Fax. 323-318-2623
www.greXusa.com